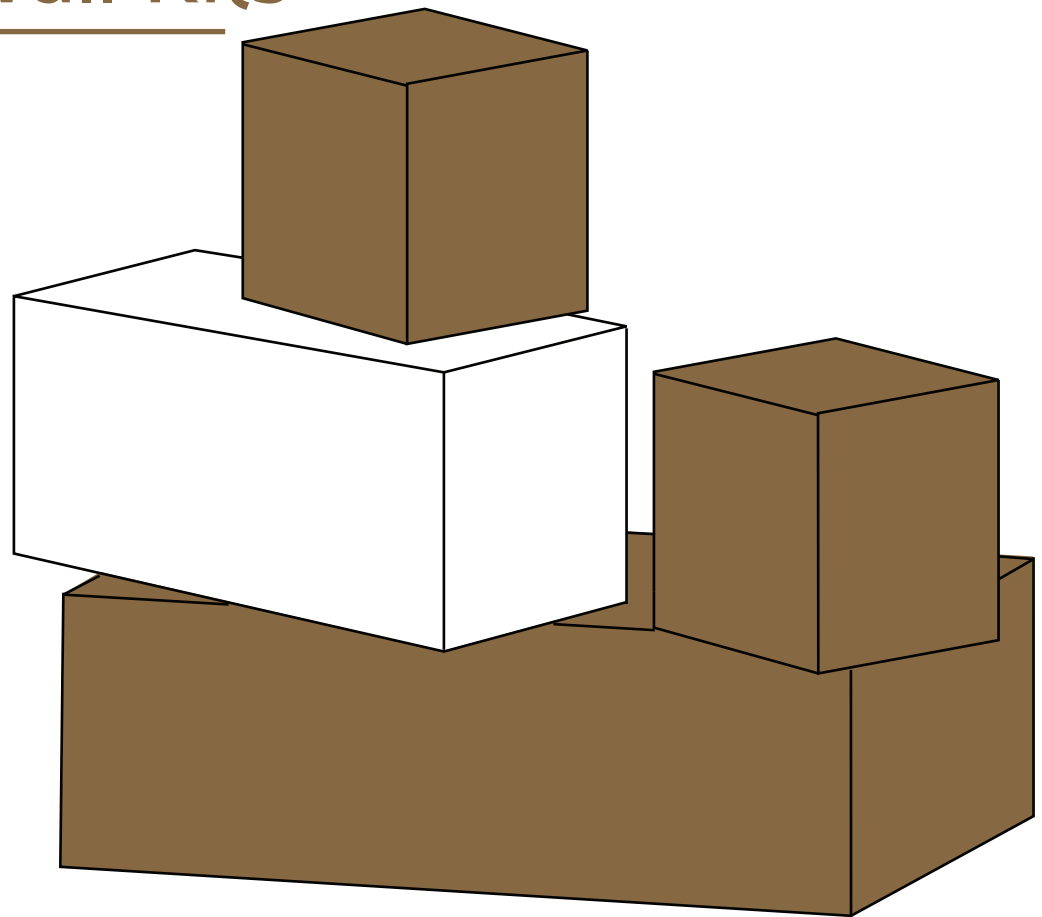




MBA Design & Display Products Corporation Movable Wall Kits

Mila-wall®





6 x Mila-wall® Wall Modules Series 100

1 meter wide x 2.5 meter tall · 40 mm thick · paintable & nail-able · Aluminum frame · Class A Fire Rated Bright White Permanent Fascias

6 x Mila-wall® Removable Surface Coverings

Class A Fire Rated Bright White Mila-fix 12.180

Painting and Surface Covering Accessories

Adhesive dots (100) · 1 roll pre-primed seam tape

Mila-wall® Profiles Series 100

powder coated RAL 9016 · Bright White

Surface covering

matching overlaminate · Mila-fix 12.180 · Bright White

2 x Corner Profiles

40 x 40 · 1 x 90° · H = 2.5 meters

6 x End Covers

H = 2.5 meters

4 x Mila-wall® Tongue Profiles Series 100

H = 2.5 meters

8 x Mila-wall® Connectors Series 100

- a) 4 Top Connectors
- b) 4 Bottom Connectors

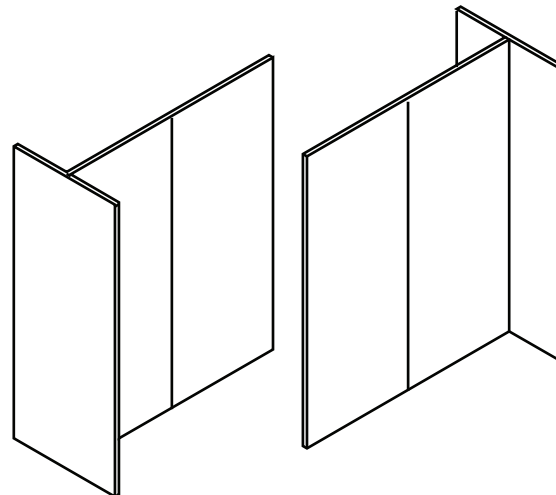
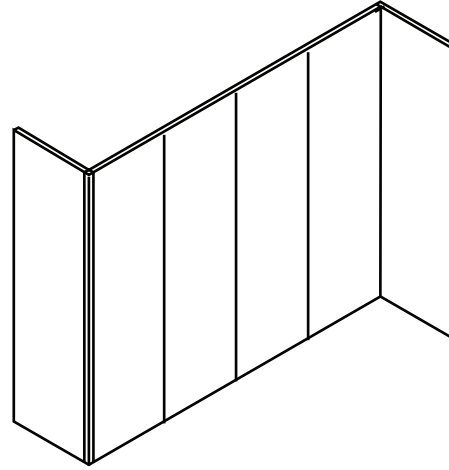
2 x Mila-wall® Perpendicular Clamps Series 100

2 sets

Mila-wall® Tools and Accessories

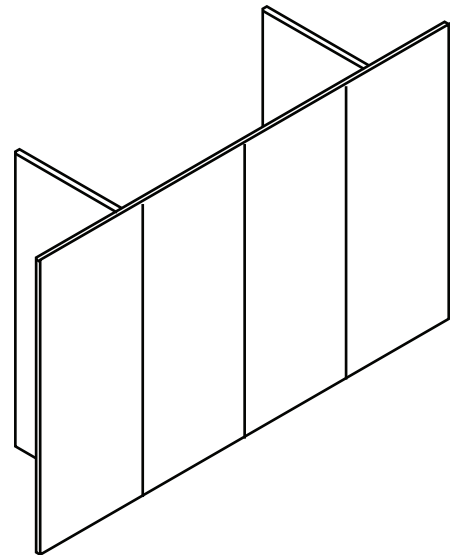
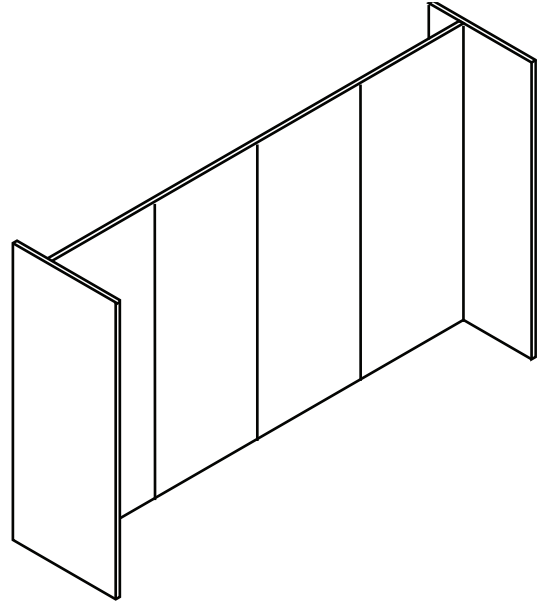
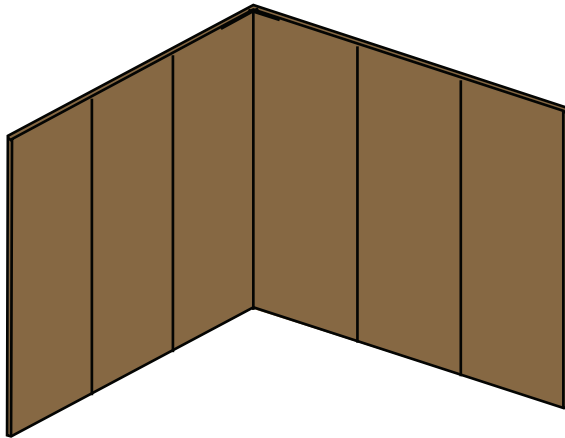
- 48 x End cover clips
- 1 x Lever Roller
- 1 x Tool Kit
- 1 x Foot Adjusting Disc
- 1 x Installation Instructions

1 x Mila-wall® Wooden Transportation Crate (one way)



MILA-WALL®

6 PANEL KIT





8 x Mila-wall® Wall Modules Series 100

1 meter wide x 2.5 meter tall · 40 mm thick · paintable & nail-able · Aluminum frame · Class A Fire Rated Bright White Permanent Fascias

8 x Mila-wall® Removable Surface Coverings

Class A Fire Rated Bright White Mila-fix 12.180

Painting and Surface Covering Accessories

Adhesive dots (100) · 1 roll pre-primed seam tape

Mila-wall® Profiles Series 100

powder coated RAL 9016 · Bright White

Surface covering

matching overlamine · Mila-fix 12.180 · Bright White

2 x Corner Profiles

40 x 40 · 1 x 90° · H = 2.5 meters

6 x End Covers

H = 2.5 meters

6 x Mila-wall® Tongue Profiles Series 100

H = 2.5 meter

12 x Mila-wall® Connectors Series 100

- a) 6 Top Connectors
- b) 6 Bottom Connectors

2 x Mila-wall® Perpendicular Clamps Series 100

2 sets

Mila-wall® Tools and Accessories

48 x End cover clips

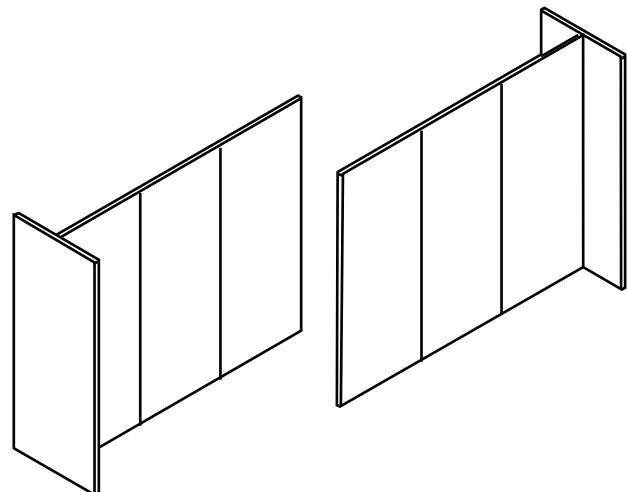
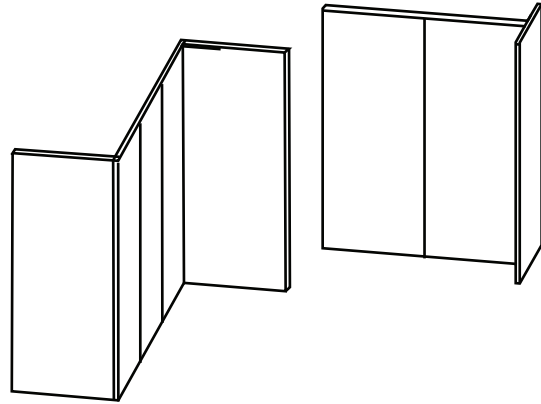
1 x Lever Roller

1 x Tool Kit

1 x Foot Adjusting Disc

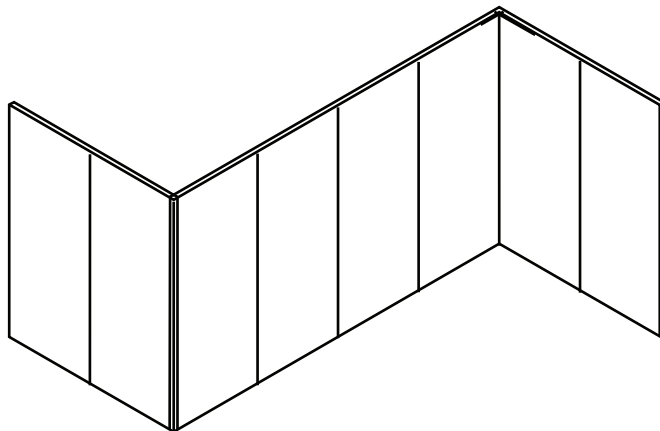
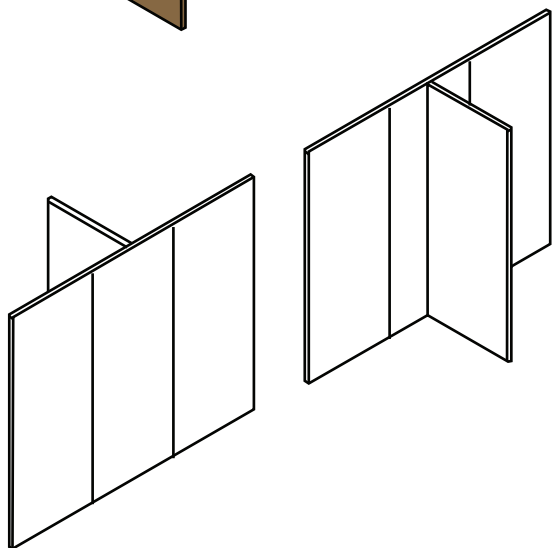
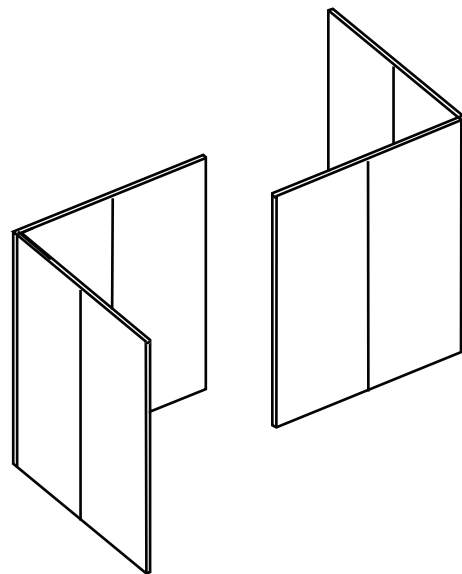
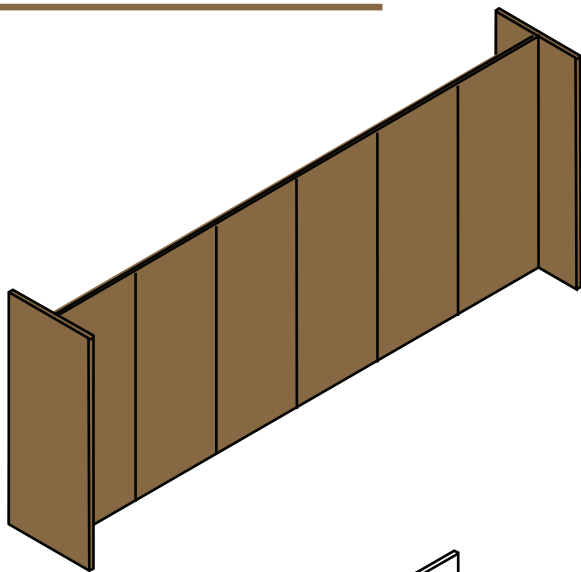
1 x Installation Instructions

1 x Mila-wall® Wooden Transportation Crate (one way)



MILA-WALL®

8 PANEL KIT





8 x Mila-wall® Wall Modules Series 100

1 meter wide x 2.5 meter tall · 40 mm thick · paintable & nail-able
 · Aluminum frame · Class A Fire Rated Bright White Permanent Fascias

2 x Mila-wall® Wall Modules Series 100 .5 meter wide

x 2.5 meter tall · 40 mm thick · paintable & nail-able · Aluminum frame · Class A Fire Rated Bright White Permanent Fascias

10 x Mila-wall® Removable Surface Coverings

Class A Fire Rated Bright White Mila-fix 12.180

Painting and Surface Covering Accessories

Adhesive dots (100) · 1 roll pre-primed seam tape

Mila-wall® Profiles Series 100

powder coated RAL 9016 · Bright White

Surface covering

matching overlamine · Mila-fix 12.180 · Bright White

5 x Corner Profiles

40 x 40 · 1 x 90° · H = 2.5 meters

6 x End Covers

H = 2.5 meters

6 x Mila-wall® Tongue Profiles Series 100

H = 2.5 meter

12 x Mila-wall® Connectors Series 100

- a) 6 Top Connectors
- b) 6 Bottom Connectors

2 x Mila-wall® Perpendicular Clamps Series 100

2 sets

Mila-wall® Tools and Accessories

48 x End cover clips

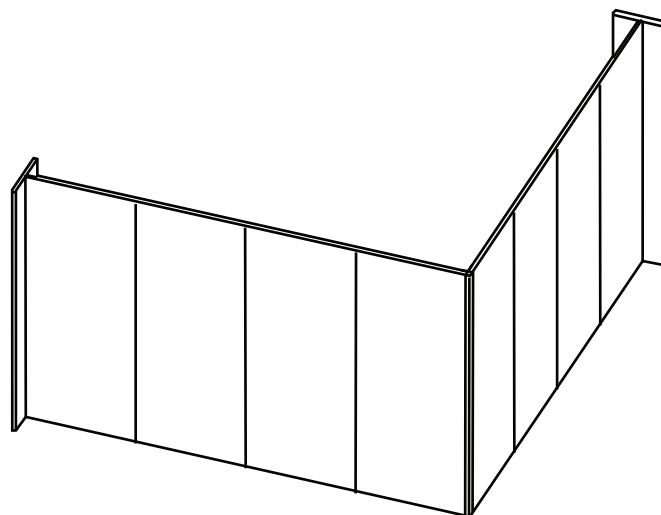
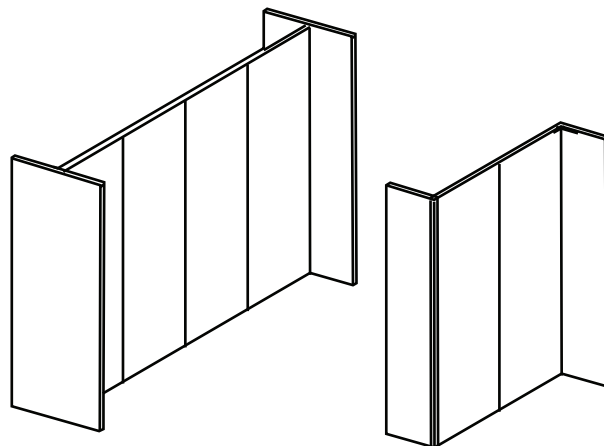
1 x Lever Roller

1 x Tool Kit

1 x Foot Adjusting Disc

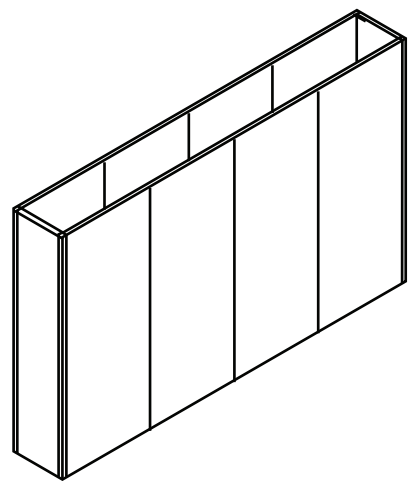
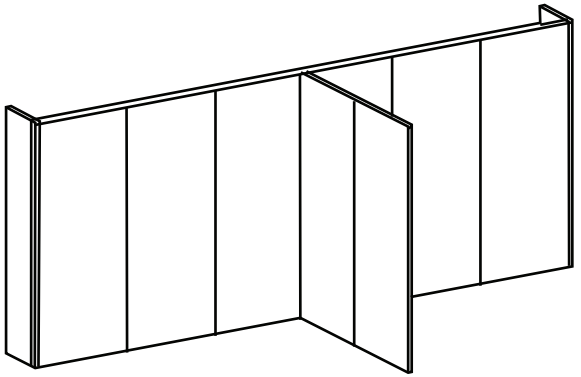
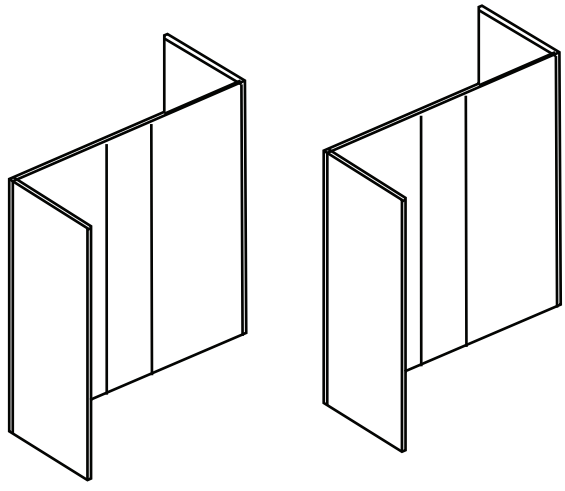
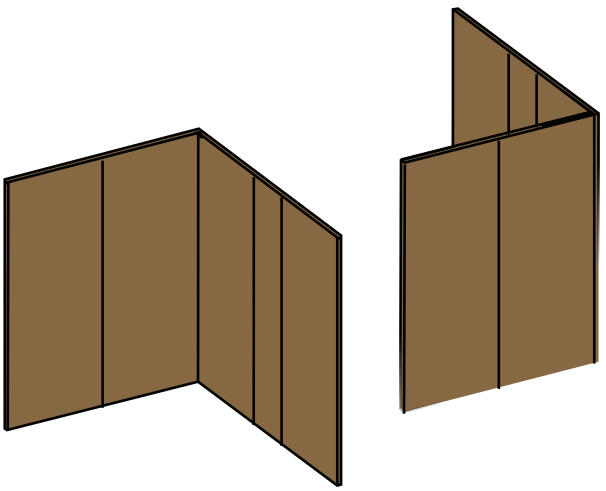
1 x Installation Instructions

1 x Mila-wall® Wooden Transportation Crate (one way)



MILA-WALL®

10 PANEL KIT





12 x Mila-wall® Wall Modules Series 100

1 meter wide x 2.5 meter tall · 40 mm thick · paintable & nail-able · Aluminum frame · Class A Fire Rated Bright White Permanent Fascias

12 x Mila-wall® Removable Surface Coverings

Class A Fire Rated Bright White Mila-fix 12.180

Painting and Surface Covering Accessories

Adhesive dots (100) · 1 roll pre-primed seam tape

Mila-wall® Profiles Series 100

powder coated RAL 9016 · Bright White

Surface covering

matching overlaminate · Mila-fix 12.180 · Bright White

4 x Corner Profiles

40 x 40 · 1 x 90° · H = 2.5 meters

4 x End Covers

H = 2.5 meters

9 x Mila-wall® Tongue Profiles Series 100

H = 2.5 meters

18 x Mila-wall® Connectors Series 100

- a) 9 Top Connectors
- b) 9 Bottom Connectors

2 x Mila-wall® Perpendicular Clamps Series 100

2 sets

Mila-wall® Tools and Accessories

32 x End cover clips

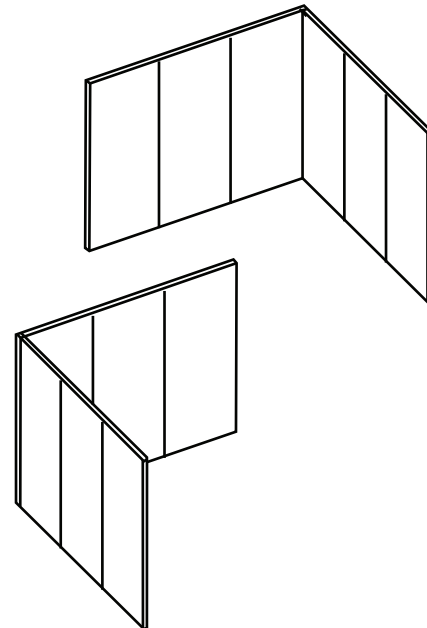
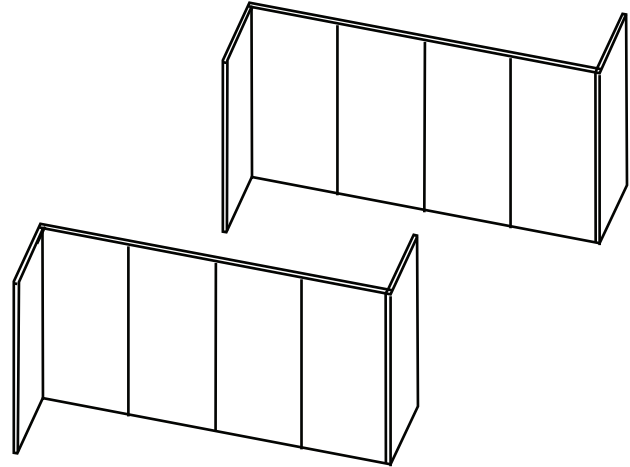
1 x Lever Roller

1 x Tool Kit

1 x Foot Adjusting Disc

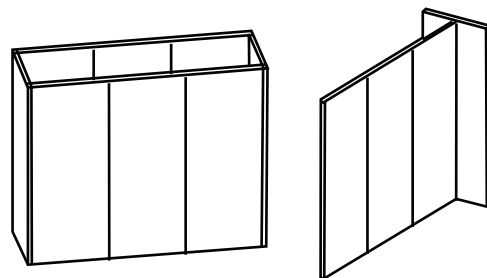
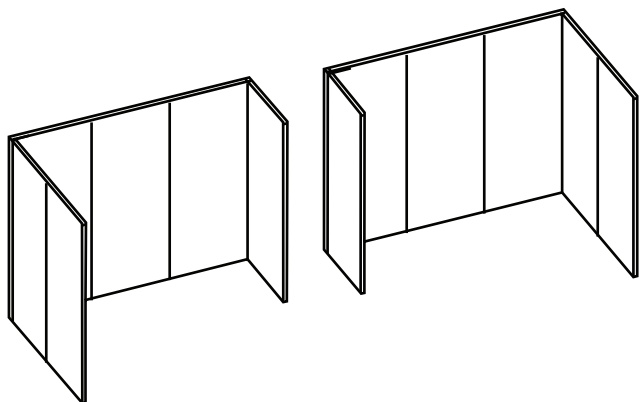
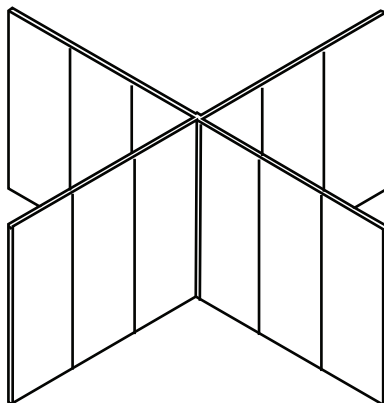
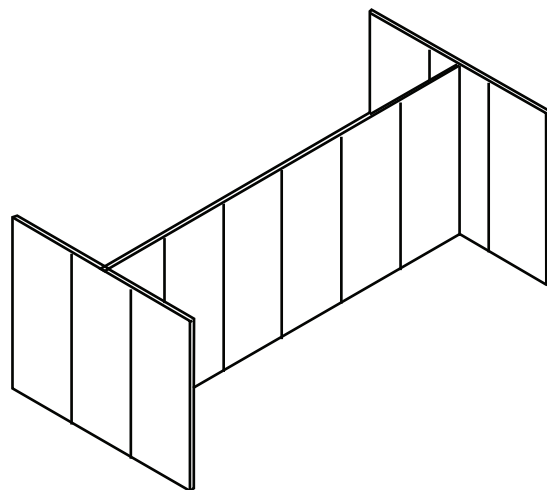
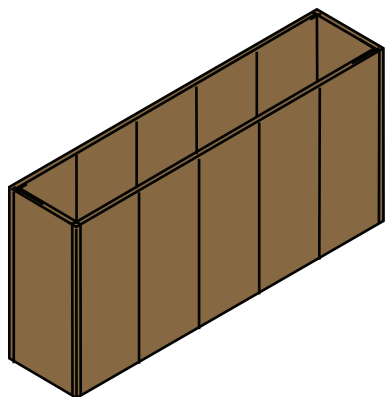
1 x Installation Instructions

1 x Mila-wall® Wooden Transportation Crate (one way)



MILA-WALL®

12 PANEL KIT





14 x Mila-wall® Wall Modules Series 100

1 meter wide x 2.5 meter tall · 40 mm thick · paintable & nail-able
· Aluminum frame · Class A Fire Rated Bright White Permanent Fascias

2 x Mila-wall® Wall Modules Series 100 .5 meter wide
x 2.5 meter tall · 40 mm thick · paintable & nail-able · Aluminum
frame · Class A Fire Rated Bright White Permanent Fascias

16 x Mila-wall® Removable Surface Coverings

Class A Fire Rated Bright White Mila-fix 12.180

Painting and Surface Covering Accessories

Adhesive dots (100) · 1 roll pre-primed seam tape

Mila-wall® Profiles Series 100

powder coated RAL 9016 · Bright White

Surface covering

matching overlaminate · Mila-fix 12.180 · Bright White

4 x Corner Profiles

40 x 40 · 1 x 90° · H = 2.5 meters

8 x End Covers

H = 2.5 meters

11 x Mila-wall® Tongue Profiles Series 100

H = 2.5 meters

22 x Mila-wall® Connectors Series 100

- a) 11 Top Connectors
- b) 11 Bottom Connectors

2 x Mila-wall® Perpendicular Clamps Series 100

2 sets

Mila-wall® Tools and Accessories

64 x End cover clips

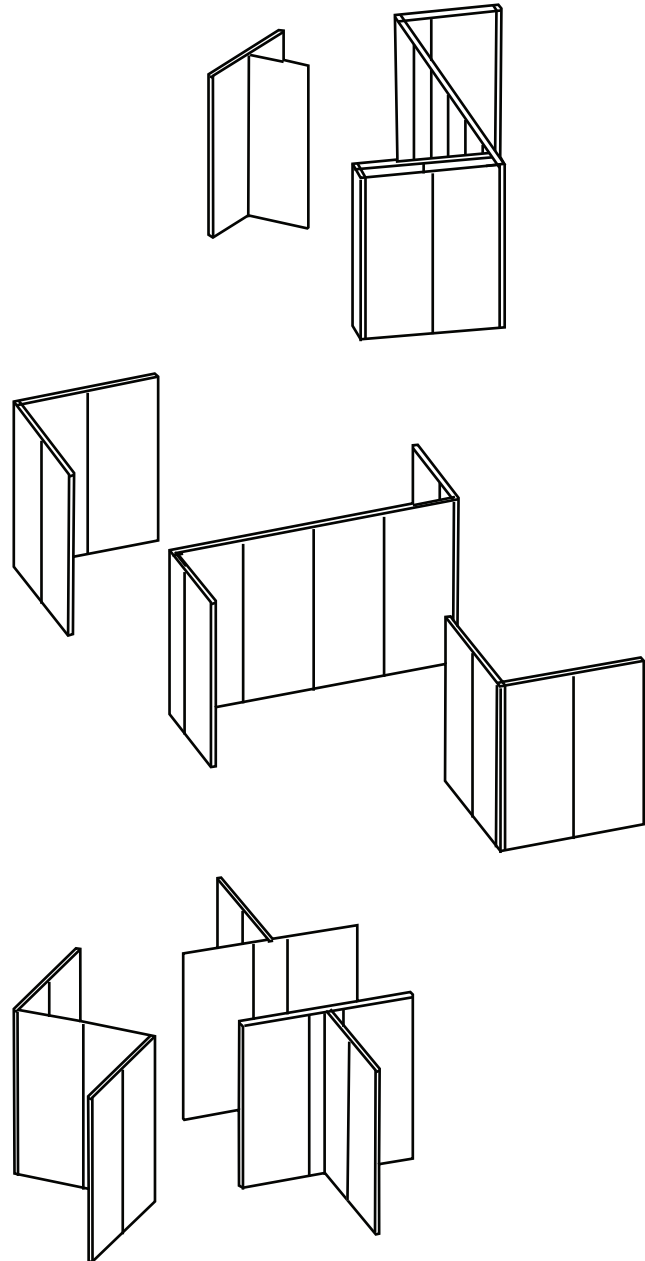
1 x Lever Roller

1 x Tool Kit

1 x Foot Adjusting Disc

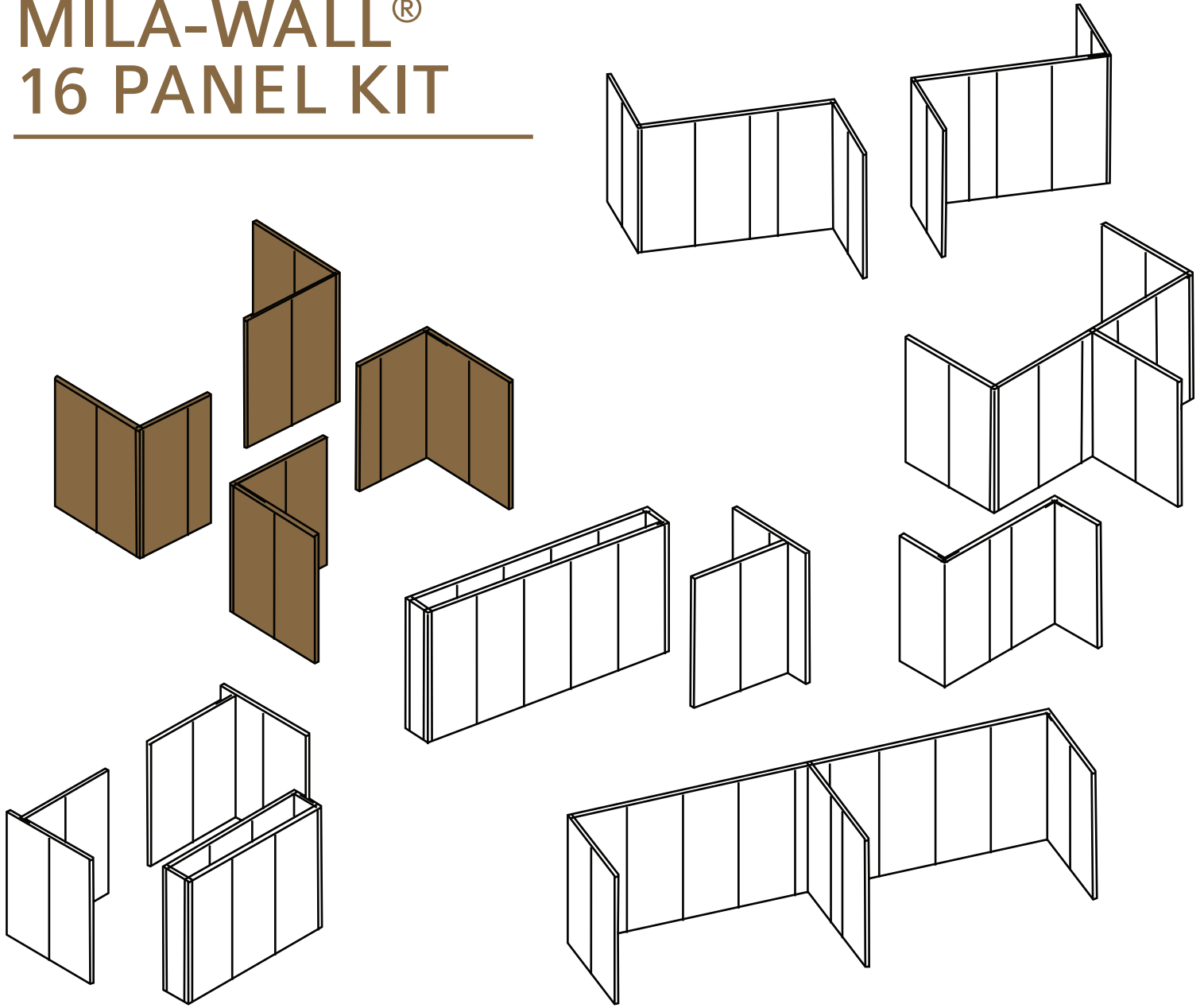
1 x Installation Instructions

1 x Mila-wall® Wooden Transportation Crate (one way)



MILA-WALL®

16 PANEL KIT





20 x Mila-wall® Wall Modules Series 100

1 meter wide x 2.5 meter tall · 40 mm thick · paintable & nail-able · Aluminum frame · Class A Fire Rated Bright White Permanent Fascias

20 x Mila-wall® Removable Surface Coverings

Class A Fire Rated Bright White Mila-fix 12.180

Painting and Surface Covering Accessories

Adhesive dots (100) · 1 roll pre-primed seam tape

Mila-wall® Profiles Series 100

powder coated RAL 9016 · Bright White

Surface covering

matching overlaminate · Mila-fix 12.180 · Bright White

8 x Corner Profiles

40 x 40 · 1 x 90° · H = 2.5 meters

10 x End Covers

H = 2.5 meters

12 x Mila-wall® Tongue Profiles Series 100

H = 2.5 meters

24 x Mila-wall® Connectors Series 100

- a) 12 Top Connectors
- b) 12 Bottom Connectors

2 x Mila-wall® Perpendicular Clamps Series 100

2 sets

Mila-wall® Tools and Accessories

80 x End cover clips

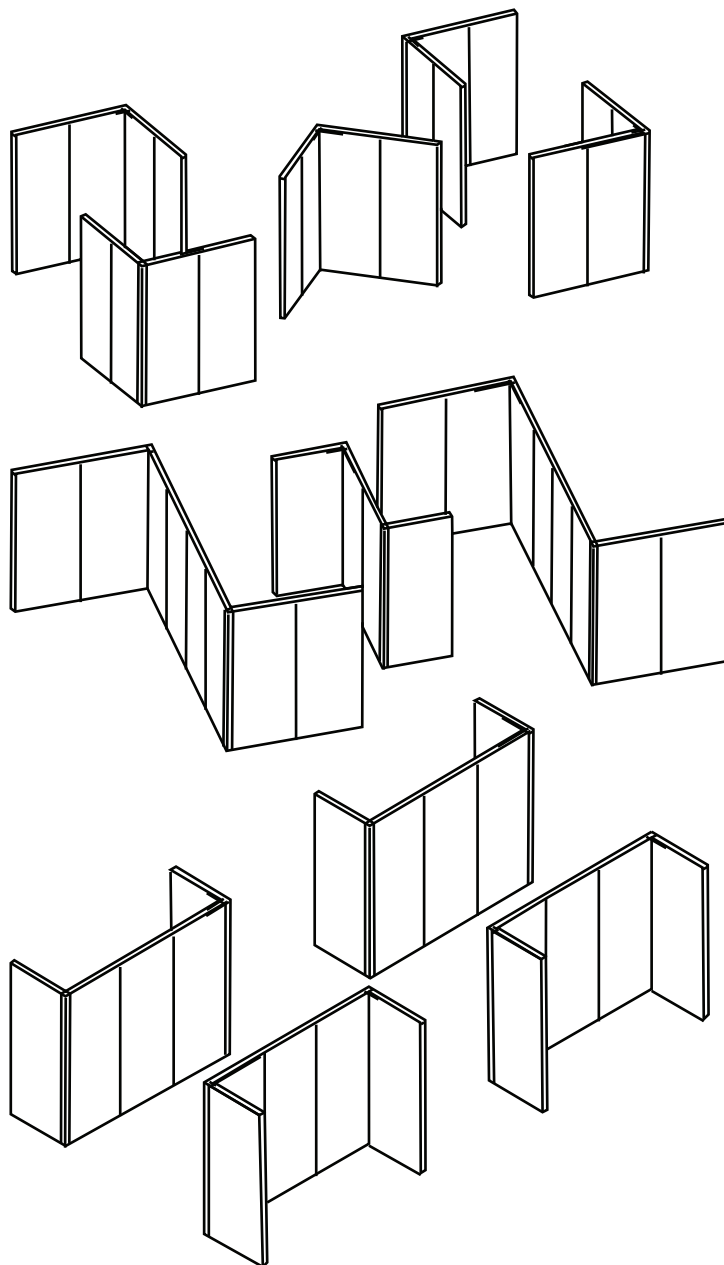
1 x Lever Roller

1 x Tool Kit

1 x Foot Adjusting Disc

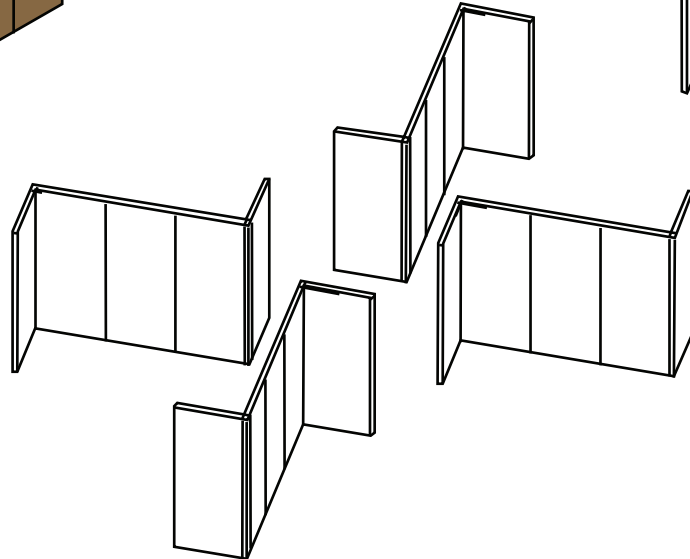
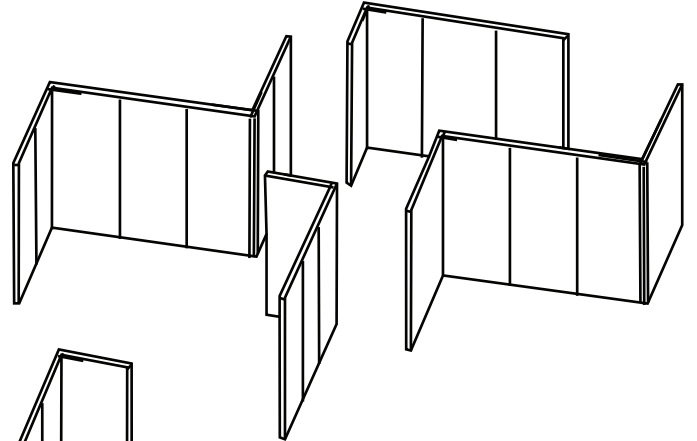
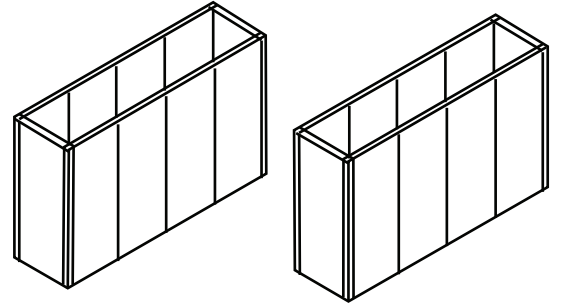
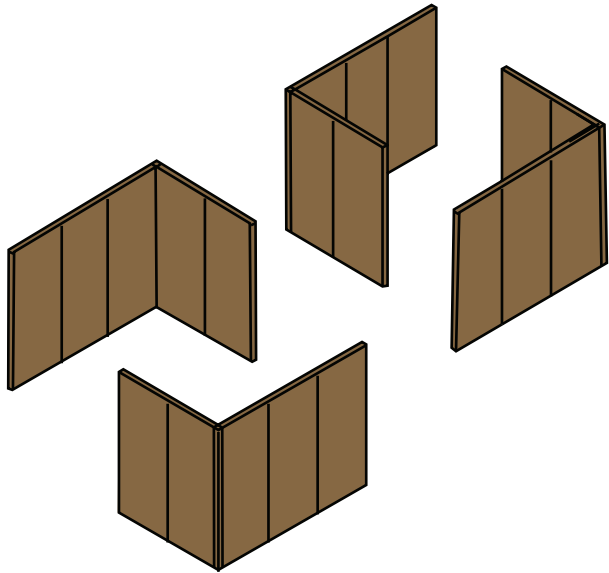
1 x Installation Instructions

1 x Mila-wall® Wooden Transportation Crate (one way)



MILA-WALL®

20 PANEL KIT





24 x Mila-wall® Wall Modules Series 100

1 meter wide x 2.5 meter tall · 40 mm thick · paintable & nail-able · Aluminum frame · Class A Fire Rated Bright White Permanent Fascias

24 x Mila-wall® Removable Surface Coverings

Class A Fire Rated Bright White Mila-fix 12.180

Painting and Surface Covering Accessories

Adhesive dots (100) · 1 roll pre-primed seam tape

Mila-wall® Profiles Series 100

powder coated RAL 9016 · Bright White

Surface covering

matching overlaminate · Mila-fix 12.180 · Bright White

8 x Corner Profiles

40 x 40 · 1 x 90° · H = 2.5 meters

9 x End Covers

H = 2.5 meters

16 x Mila-wall® Tongue Profiles Series 100

H = 2.5 meters

32 x Mila-wall® Connectors Series 100

- a) 16 Top Connectors
- b) 16 Bottom Connectors

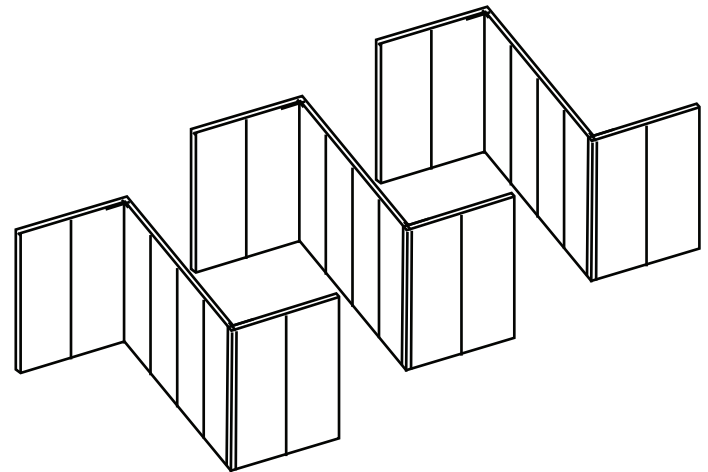
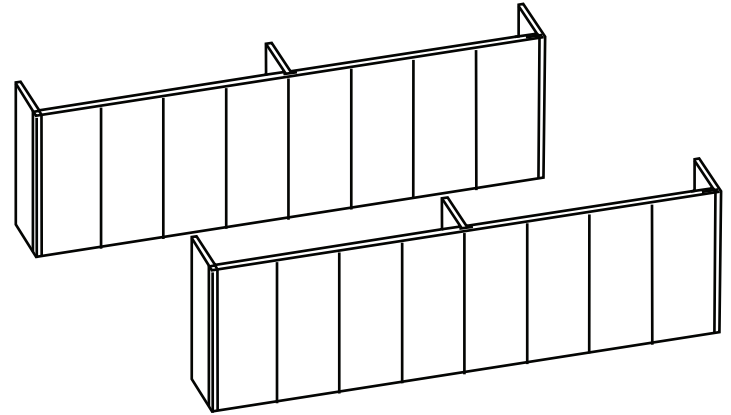
2 x Mila-wall® Perpendicular Clamps Series 100

2 sets

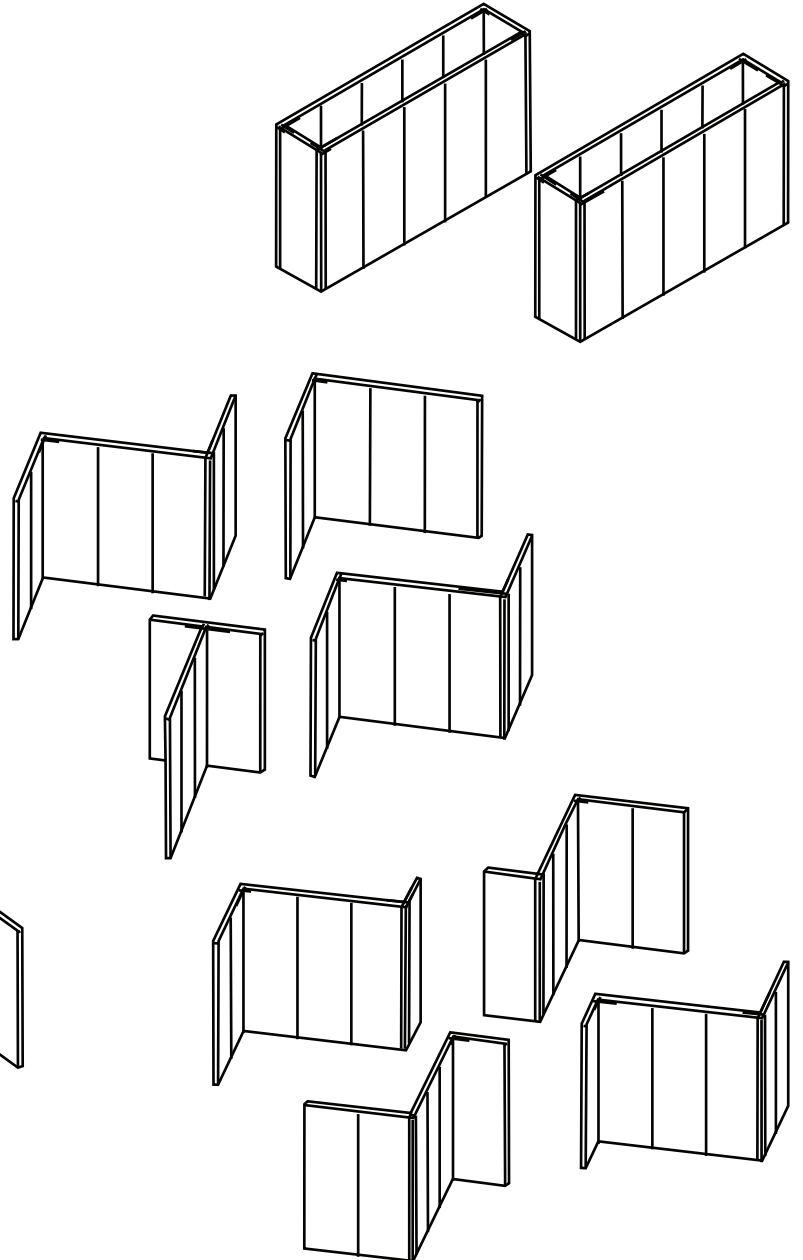
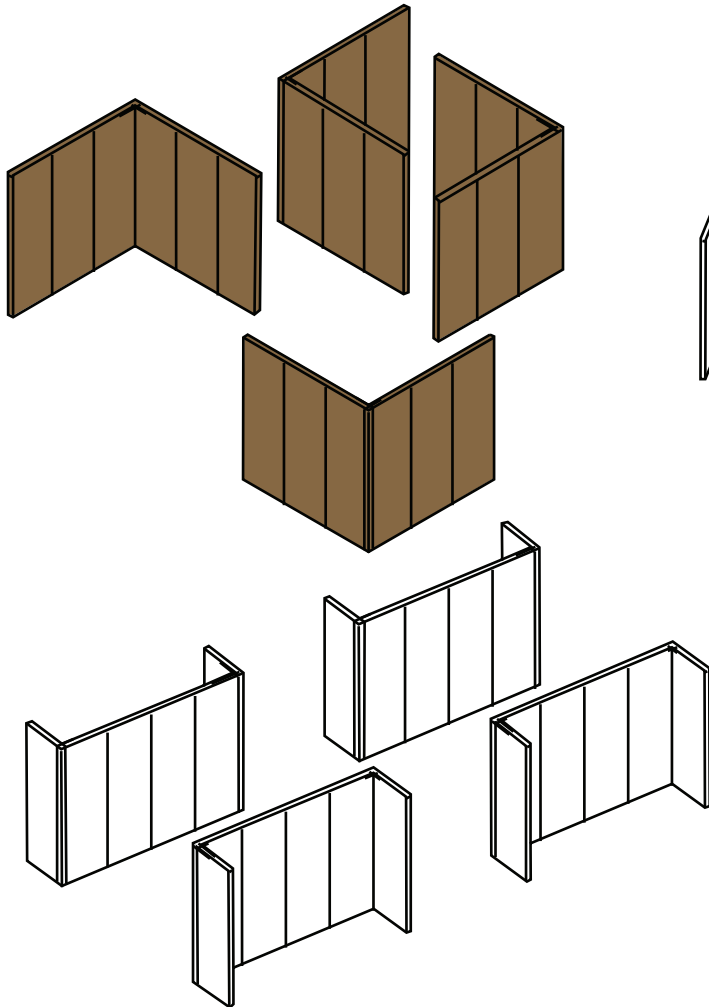
Mila-wall® Tools and Accessories

- 72 x End cover clips
- 1 x Lever Roller
- 1 x Tool Kit
- 1 x Foot Adjusting Disc
- 1 x Installation Instructions

2 x Mila-wall® Wooden Transportation Crate (one way)



MILA-WALL® 24 PANEL KIT



MBA Design & Display Products Corp.

35 East Uwchlan Ave • Suite 310

Exton, PA 19341

800-635-7386

WWW.MBAWALLS.COM